

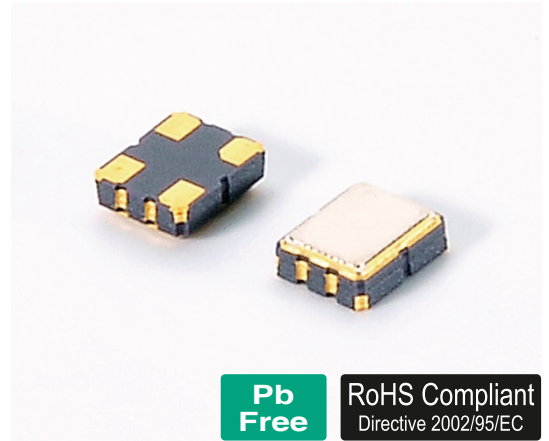
3C Series 3.2x2.5 SMD Crystal Oscillator

FEATURE

- Tight frequency tolerance.
- CMOS compatible logic levels.
- Pin-compatible with standard 3.2x2.5mm packages.
- Designed for standard reflow and washing techniques.
- Low power standby mode.
- Available on tape & reel, 1000pcs per reel.
- Pb-free and RoHS/Green compliant.

APPLICATIONS

- Ideally suited designed for use in Ethernet, network adapter cards, hard disk devices, blue tooth, PCMCIA Cards, Palmtop Computer, Portable Applications.



Pb Free

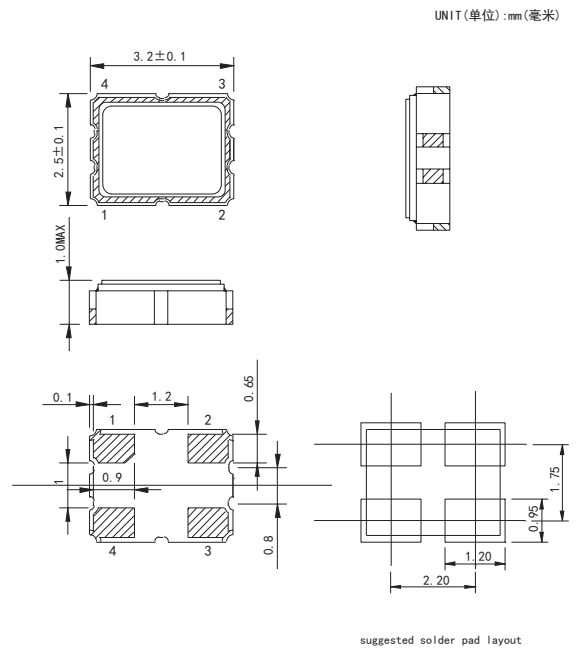
RoHS Compliant
Directive 2002/95/EC

Electrical Specifications 电气参数

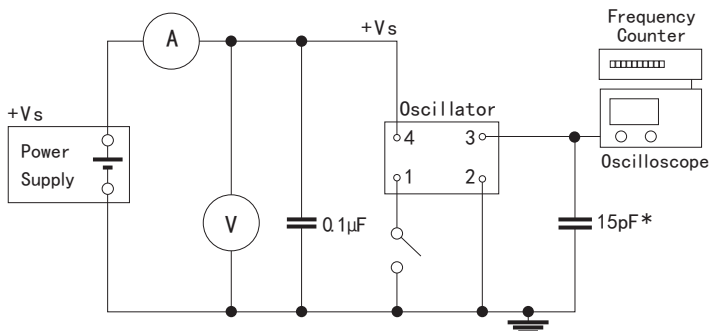
| 型号 | Holder Type | 3.2x2.5mm SMD OSCILLATOR |
|---------|---------------------------------|---------------------------------|
| 频率范围 | Frequency Range | 1.000 Mhz to 125.000 MHz |
| 总频差 | Frequency Stability | ±20ppm to ±50ppm |
| 输入电压 | Supply Voltage | 5.0V or 3.3V ±10%※(See Notes) |
| 工作温度范围 | Operating Temperature Range | -20°C - +70°C / -40°C - +85°C |
| 储存温度范围 | Storage Temperature Range | -40°C - +85°C / -55°C - +125°C |
| 占空比 | Symmetry (Duty Cycle) | 40/60 Standard |
| 输出 | Output Load | 15pF Hcmos or 10 TTL |
| 消耗电流 | Current Consumption (15pf only) | 1.000Mhz - 49.999Mhz=25mA max |
| | (5.0V) | 50.000Mhz - 125.000Mhz=80mA max |
| | Current Consumption (15pf only) | 1.000Mhz - 49.999Mhz=20mA max |
| | (1.8V 2.5V 2.85V 3.3V) | 50.000Mhz - 125.000Mhz=60mA max |
| 上升/下降时间 | Rise/Fall Time | 5 nS max |

※Notes: The supply voltage 1.8V, 2.5V, 2.85V also can be made by customer.

Mechanical Dimensions 外型尺寸



Test Circuit (测试电路)



| PIN | FUNCTION |
|-----|-----------------------|
| 1 | Tri-state※(See Notes) |
| 2 | Ground |
| 3 | Output |
| 4 | Vdd |

※Notes:

Tri-state: PIN 1 connected to Vdd or floating, the product is working properly; connected to GND, stops working.